

**FLOW-TEK VALVES
& CONTROLS INC.**



AN ISO 9001 - 2008 CERTIFIED COMPANY

MANUFACTURER & EXPORTER OF

Flow-age

MAKE SPECIALISED INDUSTRIAL VALVES

BALL VALVE



Flow-age

" All Types of Valve for whole Project "

www.flowagevalves.com

BALL VALVE

GENERAL INTRODUCTION:

"Flow age" Cast Steel Ball Valve are designed and manufactured to provide maximum service life and dependability.

"Flow age" can offer a series of One Piece, Two Piece, Three Piece, Flanged End, Screwed End, Socket Weld End and Butt Weld End Ball Valves.

"Flow age" Ball Valve are provided with self-lubricated and replaceable P.T.E.F. seats, mirror polished finish of stainless steel ball eliminates frictions to reduce operating torque (smooth in operation) so, the Ball Valves becomes free from maintenance and gives the long life.

All the valves are manufacturing as per international Design and standards to get the Total Interchangeable, Finest Quality and Workmanship.

SPECIAL FEATURES:

"Flow age" offer Ball Valve in Fire Safe Design, Jacketed Design, Trunion Mounted Design, Teflon Lined and Multi-Port Designs with Pneumatic Actuator, Electrical Actuator and Pneumatic Cylinder operated along with extra accessories like Manual Gear, Solenoid and Limit Switches etc.

NOMENCLATURE

| S.NO. | PART NAME | MATERIAL |
|-------|------------|--|
| 1 | BODY | C.I. TO IS 219 FG 200 / 220 / 250 / WCB / ASTM A 216 GR. WCB / ASTM A 105 |
| 2 | SIDE PIECE | ASTM A 351 GR. CF8 / ASTM A 182 GR. F-304 / AISI 304 / ASTM A 351 GR. CF8M / ASTM A 182 GR. F-316 / AISI 316 |
| 3 | BALL | AISI 304 / AISI 316 / AISI 304L / AISI 316L ALLOY-20 |
| 4 | STEM | ASTM 351 GR. CF 8 / 8M / 3 / 3M / CN7 |
| 5 | SEAT | |
| 6 | BODY SEAL | P.T.F.E. / GLASS FILLED PTFE / CARBON FILLED PTFE |
| 7 | GLAND SEAL | |
| 8 | GLAND | AISI 304 / 316 / 304L / 316L / ALLOY-20 |
| 9 | STUD & NUT | C.S. / S.S. 304/316 |
| 10 | GLAND NUT | C.S. / S.S. 304/316 |
| 11 | HANDLE NUT | C.S. / S.S. 304/316 |
| 12 | HANDLE | C.S. |
| 13 | BLEEVE | P.V.C. |

TESTING STANDARD : (API 598 / API 6D / BS 5145)

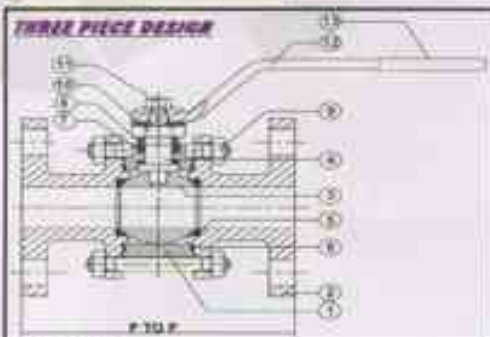
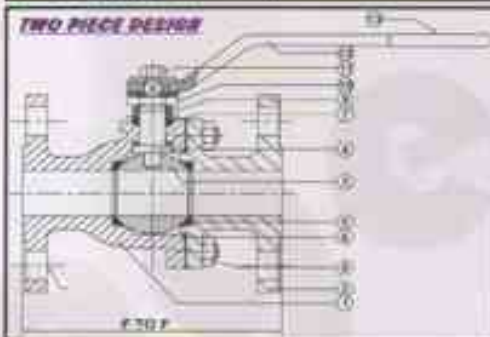
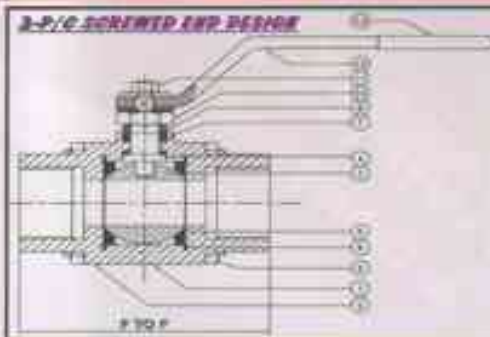
| TEST TYPE | TEST PRESSURE | TEST PRESSURE | | |
|-------------|--------------------|---------------|-----------|-----------|
| | | CLASS 150 | CLASS 300 | CLASS 600 |
| HYDRO SHELL | kg/Cm ² | 30 | 76 | 152 |
| | Psg | 425 | 1080 | 2130 |
| HYDRO END | kg/Cm ² | 22 | 55 | 110 |
| | Psg | 315 | 780 | 1560 |
| AIR TEST | kg/Cm ² | 4.2 | - | - |
| | Psg | 60 | - | - |

APPLICABLE STANDARDS

- STEEL BALL VALVES : API 608 / API 6D / BS 5351
- STEEL BALL VALVES : ISO 10434 / ISO 14313
- FIRE SAFE : API 607
- ANTI-STATIC : API 608
- STEEL VALVES : ANSI B 10.34
- FACE TO FACE : ANSI B 16.10
- END DRILLED : ANSI B 16.5
- BUTT WELD ENDS : ANSI B 16.25
- INSPECTION AND TEST : API 598 / API 6D / BS 5145

DESIGN DESCRIPTION:

- FULL PORT DESIGN
- BS BOLTED BONNET, SPLIT BODY
- FLOATING BALL TYPE
- FLOW-OUT PROOF STEM
- FIRE SAFE DESIGN
- ANTI-STATIC DEVICE
- STOPPER DEVICE
- ISO 5211 MOUNTING PAD
- FLANGED OR BUTT WELDING ENDS
- AVAILABLE WITH BG OPERATOR
- TRUNION MOUNTED



DIMENSION / (F TO F)

| VALVE SIZE (MM) | 150# | 300# | 600# | BS / IW |
|-----------------|--------|--------|-------|---------|
| 15 | 107.95 | - | 165.1 | 84 |
| 20 | 117.47 | - | 190.5 | 191 |
| 25 | 127 | - | 215.9 | 190 |
| 32 | 139.7 | - | 228.6 | 110 |
| 40 | 165.1 | 180.5 | 241.3 | 110 |
| 50 | 177.8 | 215.9 | 292.1 | 128 |
| 65 | 190.5 | 241.3 | 330.2 | - |
| 80 | 203.2 | 282.57 | 355.6 | - |
| 100 | 228.6 | 304.8 | 431.8 | - |
| 150 | 286.7 | 403.22 | 558.6 | - |
| 200 | 292.1 | 419.1 | 600.4 | - |
| 250 | 330.2 | 457.2 | 717.4 | - |
| 300 | 355.6 | 501.65 | 838.2 | - |
| 350 | 381 | 571.6 | 888 | - |
| 400 | 406.4 | 609.6 | 990.6 | - |

ALL DIMENSION ARE IN MM.

* Please contact us for any type of customized automation in Ball valves for typical applications.

OTHER MFG. RANGE: Pressure Reducing Valve, Safety Relief Valve, Globe Valve, Gate Valve, Butterfly Valve, Plug Valve, Non Return Valve, Automatic Control Valve, Pneumatic Control Valve, Motorised Control Valve, Knife Edge Gate Valve, Diaphragm Valve, Flush Bottom Valve, Strainer, Filter, Pressure Reducing Station, Gas Sild & Air type of manual / actuator / cylinder operated valves with any type of automation.

* Please note this a condensed catalogue for a complete version please contact Flow-Tek directly.



flow-age

Unit - 1 **FLOW-TEK VALVES & CONTROLS**
 L-258, Nr. Odhav Police Station, DDC Odhav, Ahmedabad - 382415
 Phone: +91-79-22870310, 22884363, Fax: +91-79-22875310
 Mobile: 09824000099, 09824530702, 09824031028
 E-Mail: info@flowagevalves.com
 Web Site: www.flowagevalves.com

Unit - 3 **FLOW-TEK VALVES & CONTROLS INC.**
 Plot No. 172-173, Road No. 4, SIDC Kothiwadi, Ahmedabad - 382430, Gujarat, INDIA
 Phone: +91-79-22939219, 22939220, Fax: +91-79-22875310
 Mobile: 09824080880, 09824535702, 09824031889
 E-Mail: info@flowagevalves.com
 Web Site: www.flowagevalves.com